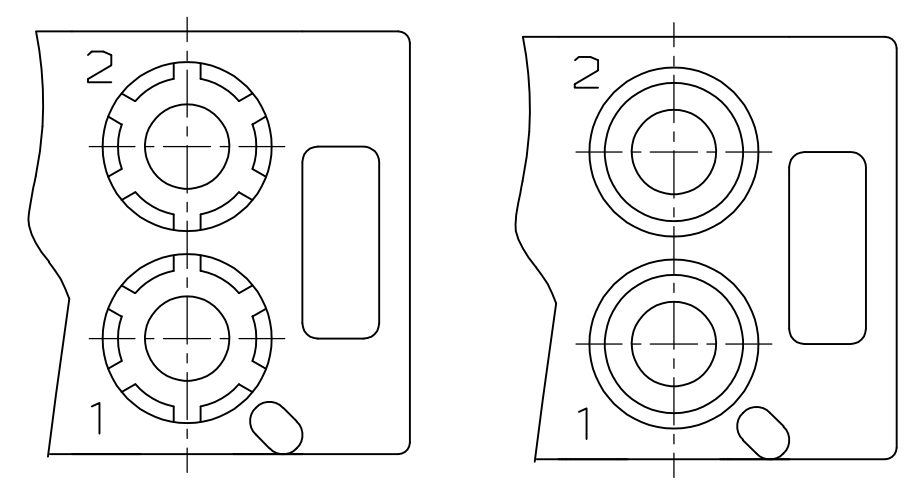
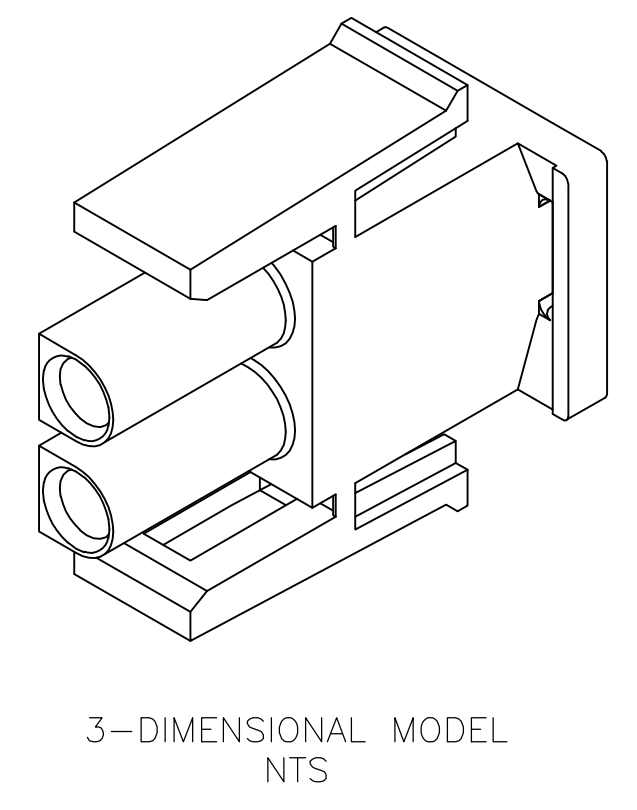
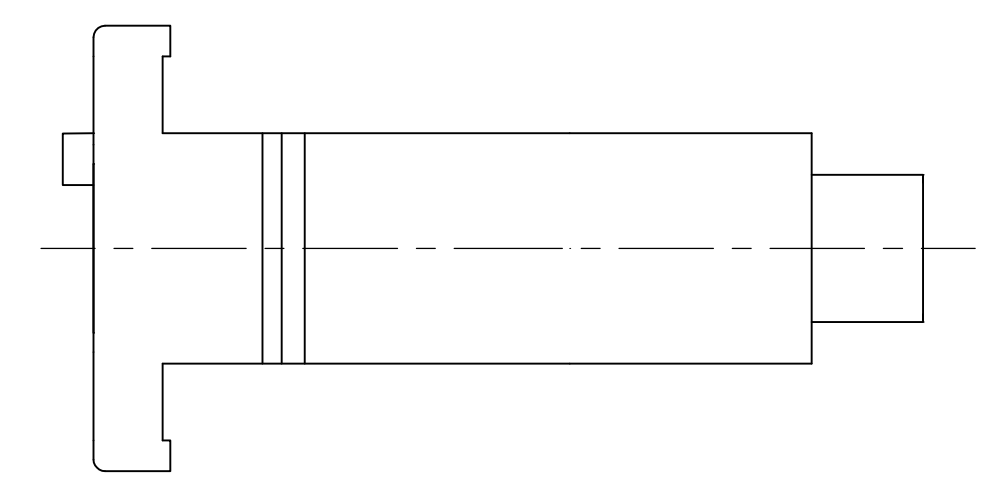
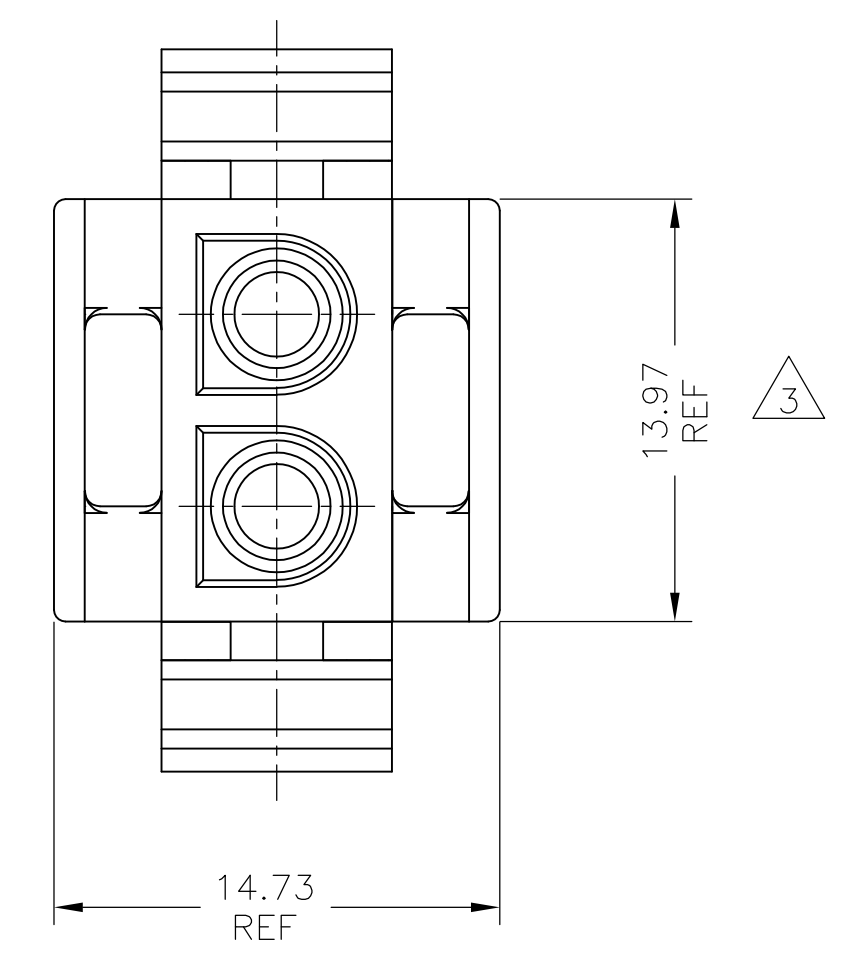
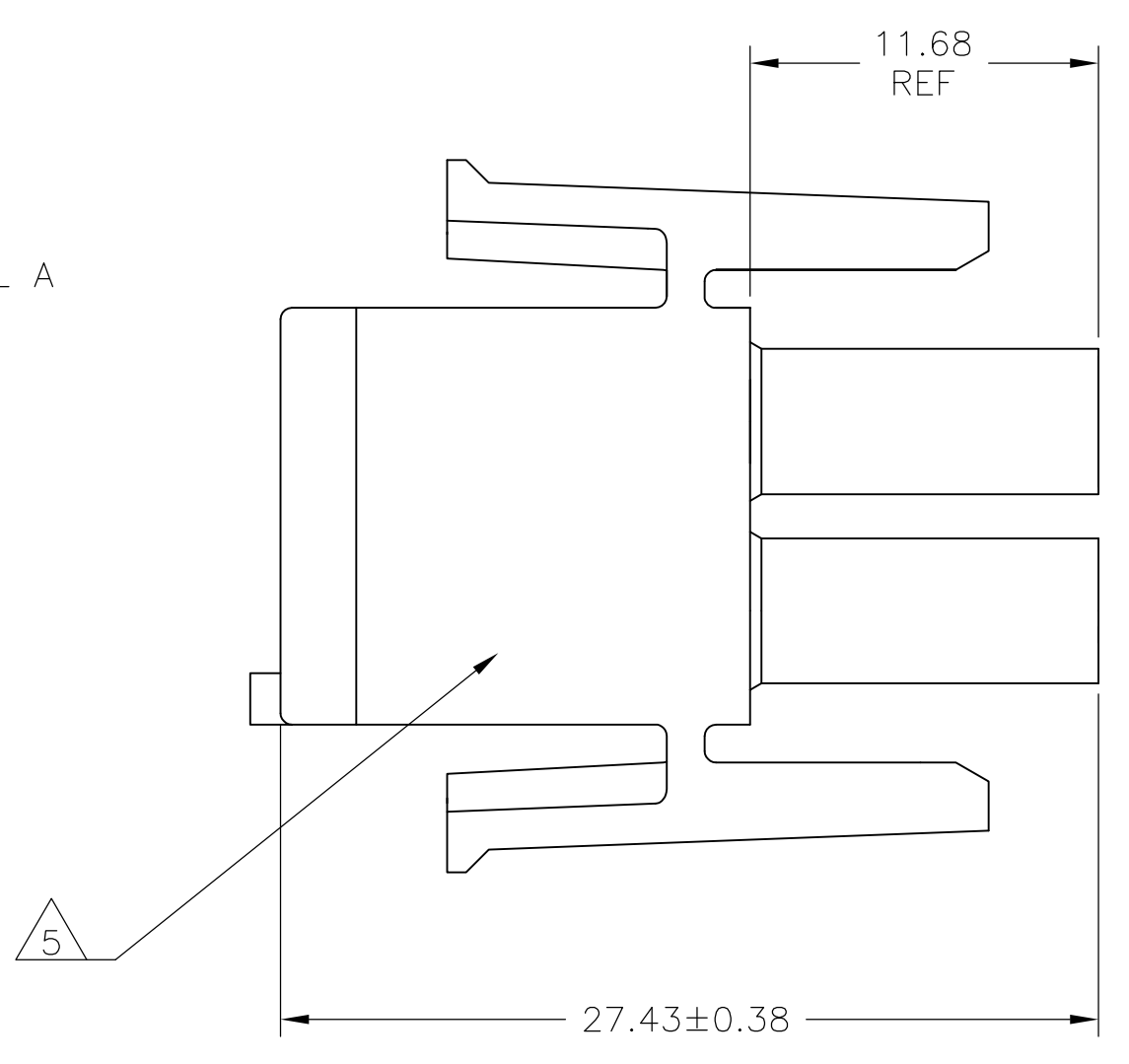
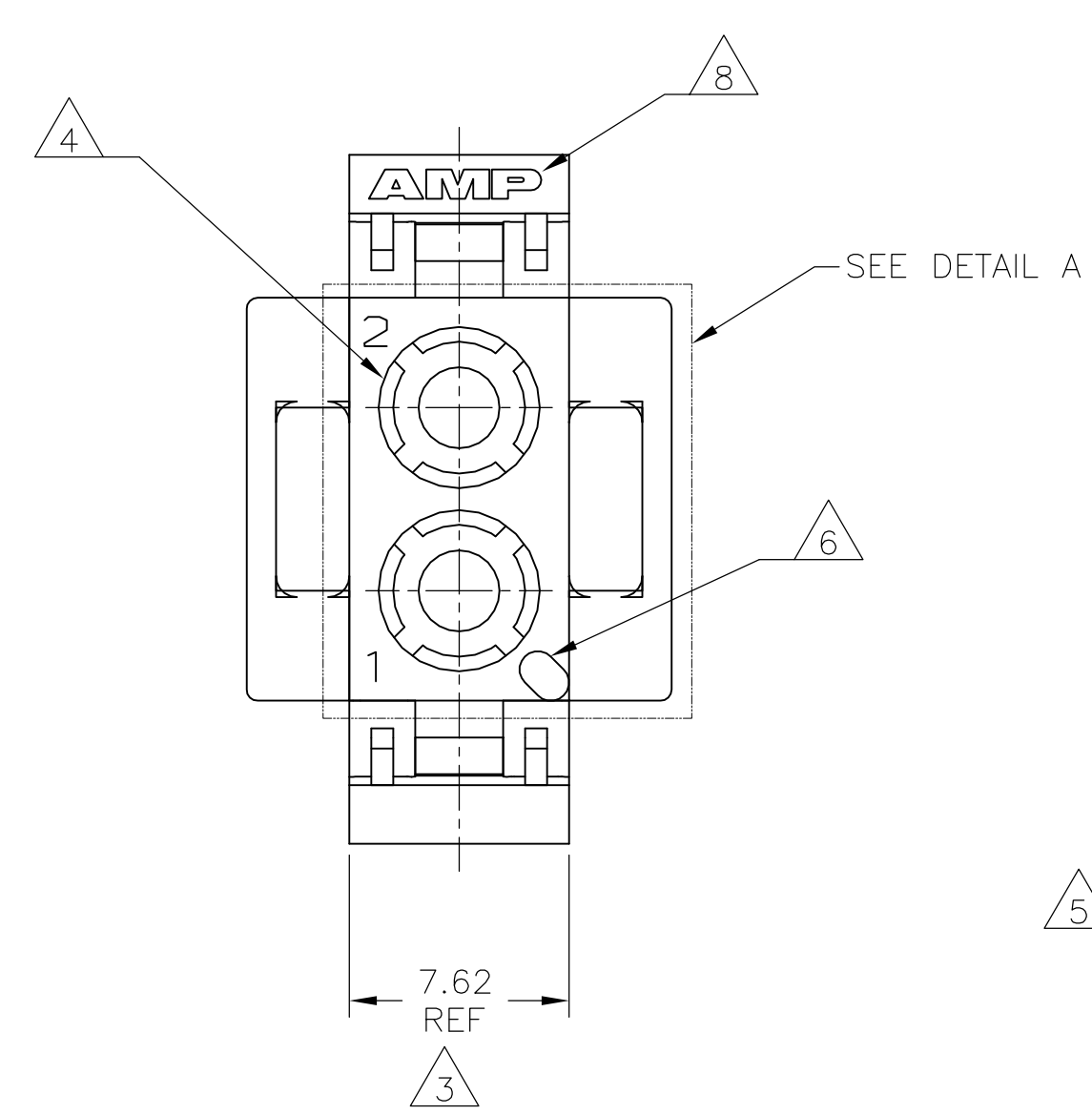


| REVISIONS |             |               |           |       |
|-----------|-------------|---------------|-----------|-------|
| P         | LTR         | DESCRIPTION   | DATE      | APPV  |
| AH4       | REVISED PER | ECR-16-004722 | 04APR2016 | BW EW |



- 1 MATES WITH APPROPRIATE UNIVERSAL MATE-N-LOK™ CAP OR HEADER.
- 2 SMALL NICKS ARE PERMITTED ON THE CIRCUIT TOWERS WHICH COULD INCREASE THE INITIAL HOUSING MATING FORCE BY UP TO 4.4 NEWTONS [1.0 LBS]. NO INDIVIDUAL NICKED TOWER SHALL INCREASE THIS FORCE BY OVER 2.2 NEWTONS [.5 LBS].
- 3 DIMENSION INDICATED IS AS MOLDED. ADDITIONAL GROWTH DUE TO SUBSEQUENT MOISTURE ABSORPTION MAY OCCUR.
- 4 FOUR RIBS EQUALLY SPACED, NO SPECIFIC ORIENTATION. NO RIBS OR SIX RIBS EQUALLY SPACED, NO SPECIFIC ORIENTATION, OPTIONAL.
- 5 UNDERWRITERS RECOGNIZED COMPONENT LOGO AND CSA CERTIFICATION LOGO TO BE LOCATED ONCE ON ANY SIDE OF HOUSING.
- 6 POSITION #1 LOCATOR FEATURE MAY BE ROUND OR OBLONG (AS DEPICTED).
- 7 OBSOLETE PARTS: OBSOLETE CIS STREAMLINING PER D.RENAUD/D.SINISI
- 8 SHOWN FOR CONVENIENCE; AMP LOGO MAY BE ON ANY EXTERNAL SURFACE.

| MM    | IN    |
|-------|-------|
| 27.43 | 1.080 |
| 14.73 | .580  |
| 13.97 | .550  |
| 11.68 | .460  |
| 7.62  | .300  |
| 0.38  | .015  |
| 0.13  | .005  |
| MM    | IN    |

CONVERSION TABLE

|          |         |             |
|----------|---------|-------------|
| OBSOLETE | BLACK   | 1-480698-9  |
|          | GRAY    | 1-480698-8  |
| OBSOLETE | BLUE    | 1-480698-6  |
|          | GREEN   | 1-480698-5  |
|          | YELLOW  | 1-480698-4  |
|          | ORANGE  | 1-480698-3  |
|          | RED     | 1-480698-2  |
|          | BROWN   | 1-480698-1  |
|          | NATURAL | 1-480698-0  |
|          | COLOR   | PART NUMBER |

THIS DRAWING IS A CONTROLLED DOCUMENT.

|             |  |                  |                                       |         |
|-------------|--|------------------|---------------------------------------|---------|
| DIMENSIONS: | TOLERANCES UNLESS OTHERWISE SPECIFIED: | DIN              | K. WHITAKER                           | 22JUL05 |
| mm          | 0. PLC ± -                             | CHK              | S. RIDGILL                            | 22JUL05 |
|             | 1. PLC ± -                             | APPV             | S. RIDGILL                            | 22JUL05 |
|             | 2. PLC ± 0.13                          | NAME             | PLUG, 2 CIRCUIT, UNIVERSAL MATE-N-LOK |         |
|             | 3. PLC ± -                             | PRODUCT SPEC     |                                       |         |
|             | 4. PLC ± -                             | APPLICATION SPEC |                                       |         |
|             | ANGLES ± -                             | SIZE             | A1                                    | 00779   |
| MATERIAL    | FINISH                                 | WEIGHT           | C=480698                              |         |
| NYLON       | -                                      | CUSTOMER DRAWING | SCALE                                 | 4:1     |
|             |  |                  | SHEET                                 | 1 of 1  |
|             |  |                  | REV                                   | AH4     |

STE TE Connectivity